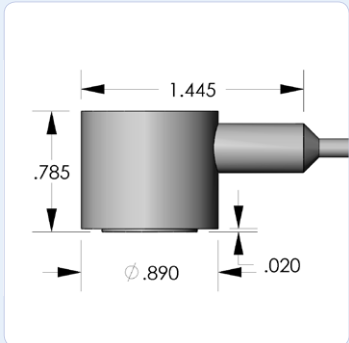


PRODUCT DATA SHEET

ISR6CA-HT Sensor

Intrinsically Safe High Temperature Sensor

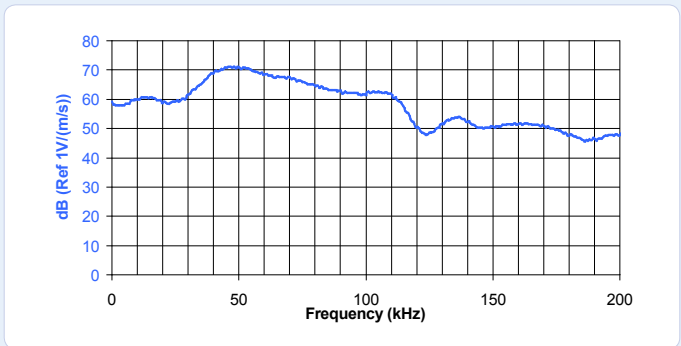


DESCRIPTION AND FEATURES

The ISR6CA-HT sensor is a low frequency, resonant, acoustic emission sensor with an integral cable. It is designed to meet the intrinsic safety (IS) and IP66 requirements and can operate continuously at very high temperatures. The special polymer coatings on the sensor along with an integral cable make it 100% insulated and non-conductive. The sensor can be used at temperatures of up to 150°C.

APPLICATIONS

The sensor can be readily used for leak detection or structural health monitoring in harsh environments requiring intrinsic safety. It can be used for the monitoring of structures like pipelines, pressure vessels and storage tanks in petroleum refineries, chemical plants and offshore platforms.



OPERATING SPECIFICATIONS

Dynamic

Peak Sensitivity, Ref V/(m/s)..... 71 dB
 Operating Frequency Range 35-100 kHz
 Resonant Frequency, Ref V/(m/s).....60 kHz
 Directionality +/-1.5 dB

Environmental

Temperature Range See Below
 Shock Limit 500 g
 Waterproof..... IP66
 Completely enclosed crystal for RFI/EMI immunity

Physical

Dimensions..... 0.89" OD X 0.785" H
 22.6 mm OD X 19.94 mm H
 Weight 27 grams with 1 meter cable
 Case Material..... Stainless Steel/Epoxy
 Face Material..... Ceramic
 Connector BNC on integral cable
 Connector Locations..... Side

Certifications

Ex ia IIC T4, -55°C ≤ Ta ≤ 120°C
 Ex ia IIIC T135°C, -55°C ≤ Ta ≤ 120°C
 Ex ia IIC T3, -55°C ≤ Ta ≤ 150°C
 Ex ia IIIC T200°C, -55°C ≤ Ta ≤ 150°C

ORDERING INFORMATION AND ACCESSORIES

ISR6CA-HT ISR6CA-HT
 Cable (specify length in 'XX' m) XX
 IS Zener Barrier/Preamplifier Interface 1281

Sensors include

NIST Calibration Certificate & Warranty



WORLDWIDE HEADQUARTERS:
 195 Clarksville Rd •
 Princeton Jct, NJ 08550 • USA
 T: +1.609.716.4000 • F: +1.609.716.0706
 E-MAIL: sales.systems@mistrasgroup.com

CANADA T: +1.403.556.1350
CHINA T: +86.10.5877.3672
FRANCE T: +331.498.26040
GERMANY T: +49.211.730940
GREECE T: +30.210.2846.801

HOLLAND T: +31.010.245.0325
INDIA T: +91.22.2586.2444
JAPAN T: +81.33.498.3570
MIDDLE EAST T: +44(0)1954.231.612
RUSSIA T: +7495.789.4549

SCANDINAVIA T: +46(0)31.252040
S. AMERICA T: +55.11.3082.5111
UK T: +44(0)1954.231.612