

## PRODUCT DATA SHEET

### ISPK30IUC Sensor

Intrinsically Safe Underwater Sensor

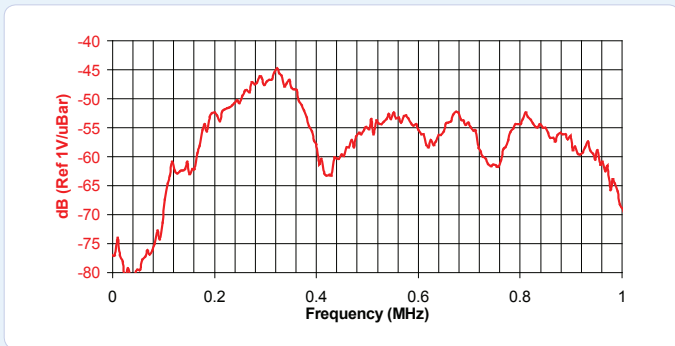
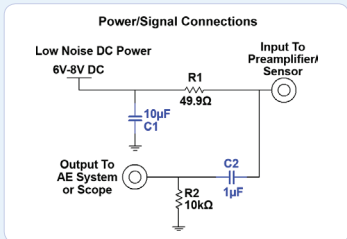
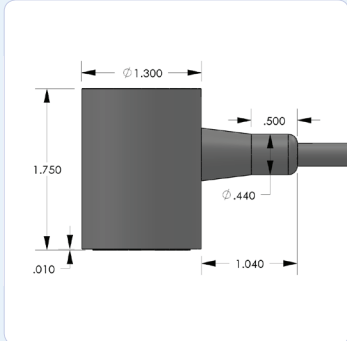


#### DESCRIPTION AND FEATURES

The ISPK30IUC sensor is a medium frequency sensor, resonant acoustic emission sensor with an integral cable. It is designed to meet the intrinsic safety (IS) requirements and can operate in underwater conditions. The sensor features a 26 dB low power, low noise preamplifier that can drive up to 200 meters of cable. The special polymer coatings on the sensor along with an integral waterproof cable make it 100% insulated and non-conductive. The sensor can be used to depths of 1000 psi.

#### APPLICATIONS

The sensor can be readily used for structural health monitoring in environments requiring intrinsic safety. It can be used for the monitoring of structures like pipelines, pressure vessels and storage tanks in petroleum refineries, chemical plants and offshore platforms.



#### OPERATING SPECIFICATIONS

##### Dynamic

Peak Sensitivity, Ref V/(m/s).....	84 dB
Peak Sensitivity, Ref V/µbar.....	-44 dB
Operating Frequency Range.....	100-400 kHz
Resonant Frequency, Ref V/(m/s).....	225 kHz
Resonant Frequency, Ref V/µbar.....	350 kHz
Directionality.....	+/-1.5 dB

##### Environmental

Temperature Range.....	-55° to 70°C
Shock Limit.....	500 g
Completely enclosed crystal for RFI/EMI immunity	

##### Physical

Dimensions.....	1.31"OD X 1.75"H
	33 mm OD X 45 mm H
Weight.....	.98 grams
Case Material.....	Stainless Steel/Epoxy
Face Material.....	Ceramic
Connector.....	BNC on integral cable
Connector Locations.....	Side

##### Electrical

Gain.....	26 dB
Preamp DC power.....	5-7 V
Grounding.....	Isolated from mounting surface
Noise level at input.....	<3 µV
Preamplifier dynamic range.....	>87 dB
Preamplifier impedance.....	50 ohm

##### Certifications

Ex ia IIC T6, -55°C ≤ Ta ≤ 70°C  
Ex ia IIIC T85°C, -55°C ≤ Ta ≤ 70°C

#### ORDERING INFORMATION AND ACCESSORIES

ISPK30IUC.....	ISPK30IUC
Cable (specify length in 'XX' m).....	XX
IS Zener Barrier/Preamplifier Interface.....	1281

##### Sensors include

NIST Calibration Certificate & Warranty



**WORLDWIDE HEADQUARTERS:**  
195 Clarksville Rd •  
Princeton Jct, NJ 08550 • USA  
T: +1.609.716.4000 • F: +1.609.716.0706  
E-MAIL: sales.systems@mistrasgroup.com

**CANADA** T: +1.403.556.1350  
**CHINA** T: +86.10.5877.3672  
**FRANCE** T: +331.498.26040  
**GERMANY** T: +49.211.730940  
**GREECE** T: +30.210.2846.801

**HOLLAND** T: +31.010.245.0325  
**INDIA** T: +91.22.2586.2444  
**JAPAN** T: +81.33.498.3570  
**MIDDLE EAST** T: +44(0)1954.231.612  
**RUSSIA** T: +7495.789.4549

**SCANDINAVIA** T: +46(0)31.252040  
**S. AMERICA** T: +55.11.3082.5111  
**UK** T: +44(0)1954.231.612